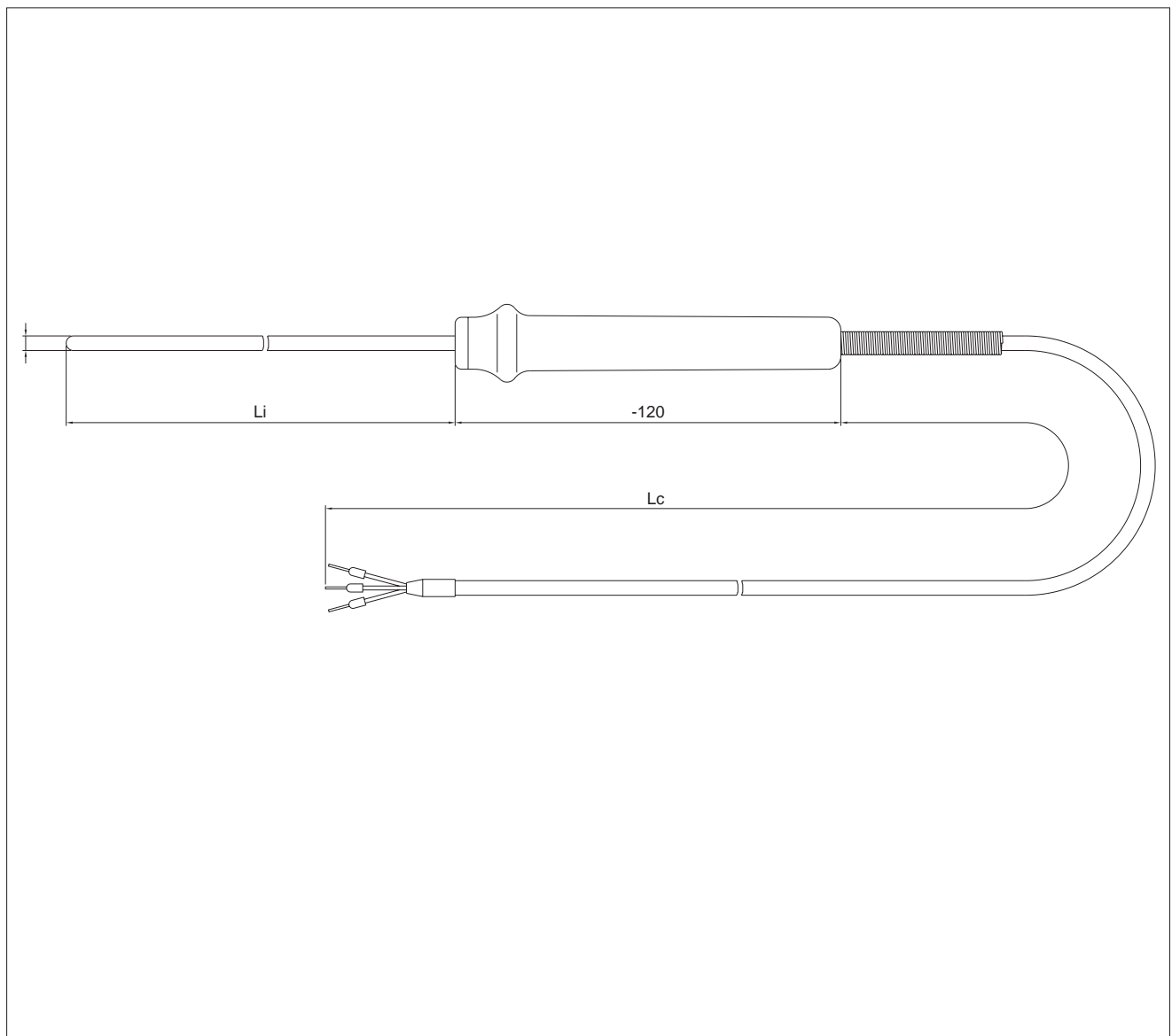




Main characteristics

- Max. temperature limit:
- 40 ... + 600° C
- Reference tolerances: UNI 7937, IEC 751:
± 0,15°C a 0°C per 1/2 DIN (class A)
± 0,30°C a 0°C per 1 DIN (class B)
± 0,10°C a 0°C per 1/3 DIN
- Sensitive element with MgO isolation Pt100 at 0°C

MODELS



ORDER CODE

T
R
P
M

0
0
0
0

0
0
0
X

0
0
0
6
0
X

CODE

Element + number of wires	
Single 2 wires	1
Single 3 wires	2
Single 4 wires	5

Precision class	
Pt100 1/2 DIN (class A)	A
Pt100 1 DIN (class B)	B
Pt100 1/3 DIN	C

Cable type	
PVC	1
GSC	2

Sheathing material	
AISI 316	C

Sheathing diameter (mm)	
3	E
4,5	G
6	I

Certificates

A	Certificate of conformity
R	Calibration report
T	SIT certificate

LENGTHS AND ACCESSORIES


Li = Immersion Length (mm)	
Standard length: 100 to 2000 mm with 50 mm pitch	

Connector type	
A	Standard male
B	Standard male + female

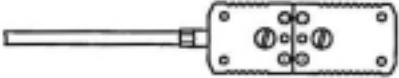
Lc = Cable length (dm)	
Standard length from 5 to 100 dm with 5 dm pitch	

CONNECTOR TYPE

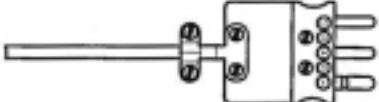
A (2 wires)



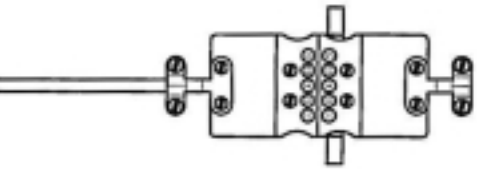
B (2 wires)



A (3 wires)



B (3 wires)



GEFRAN spa reserves the right to make any kind of design or functional modification at any moment without prior notice